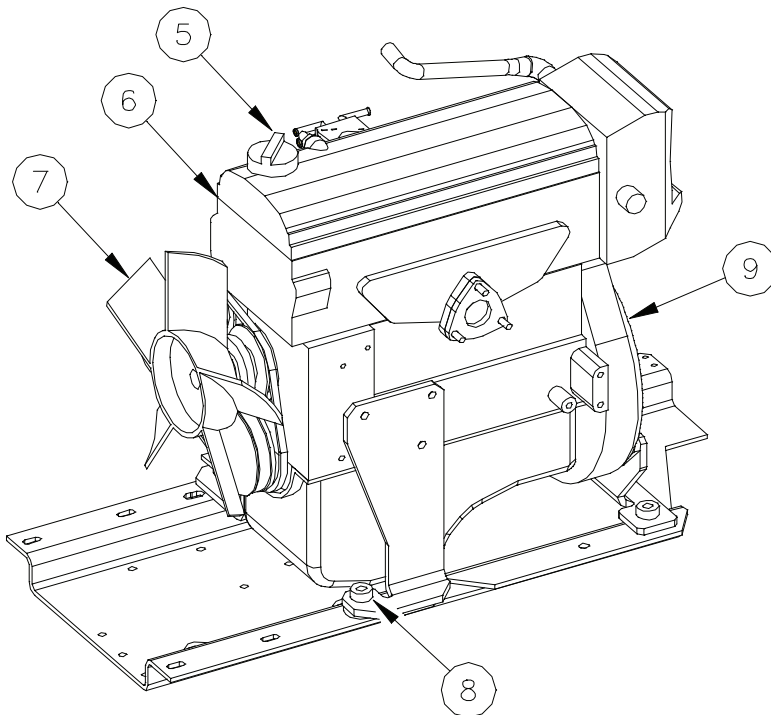
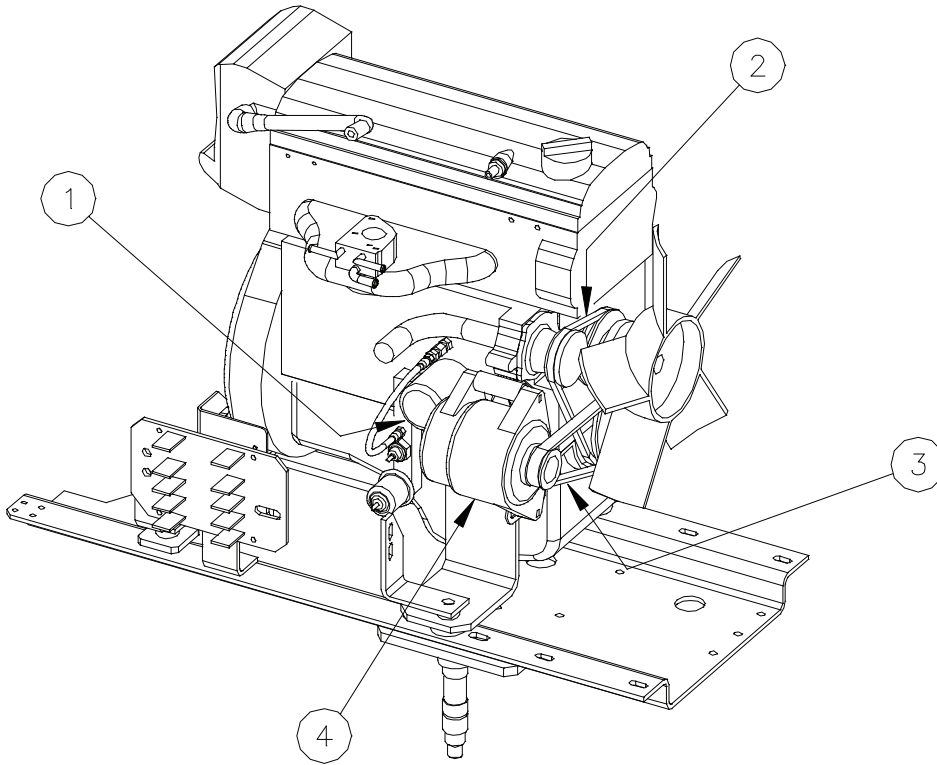


# 9X Nissan CG13 Engine

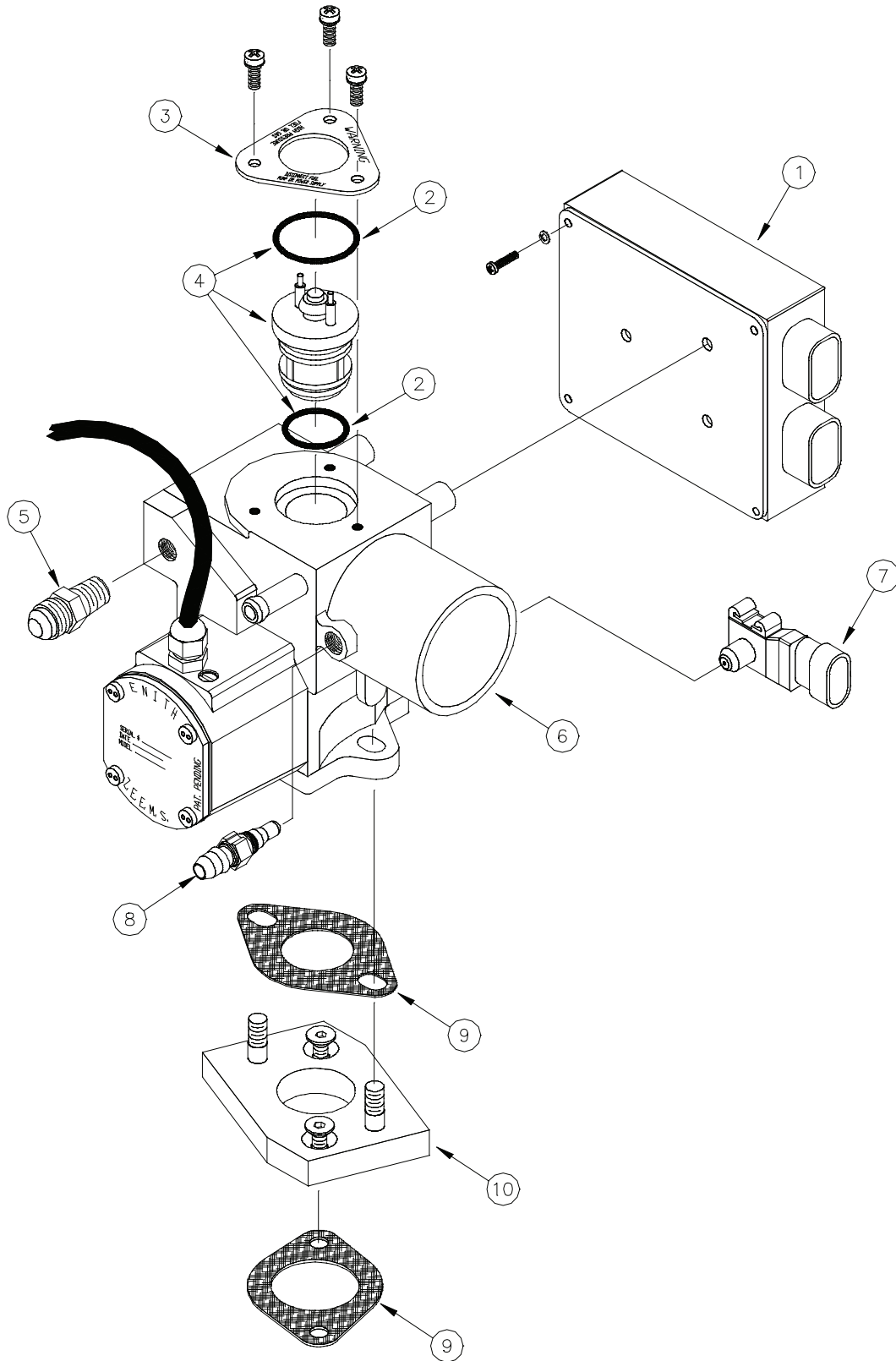


## 9X Nissan CG13 Engine

Item	Part no.	Qty.	Description
1	3336187	1	FILTER-NISSAN CG13 OIL
2	3336441	1	BELT-NISSAN CG13 FAN
3	3336442	1	BELT-NISSAN CG13 ALTERNATOR (SP)
4	3336137	1	ALTERNATOR-NISSAN CG13 (SP)
5	3336184	1	CAP-NISSAN CG13 OIL FILL
6	3336216	1	GASKET-VALVE COVER, NISSAN CG13
7	3336170	1	FAN-NISSAN CG13 COOLING
8	3300464	4	ISOLATOR-RUBBER, 1.24 DIAx1.25 LG
9	3334066	1	COUPLING-PUMP DRIVE NISSAN CG13
-	3336104	1	STARTER-NISSAN CG13 (NOT SHOWN)
-	3336154	4	SPARK PLUG-NISSAN CG13, NGK BKR5E-11 (NOT SHOWN)
-	3336150	1	IGNITION WIRES-NISSAN CG13 (SP) (NOT SHOWN)
-	3336162	1	CAP-NISSAN CG13 DISTRIBUTOR, (SP) (NOT SHOWN)
-	3336160	1	ROTOR-DISTRIBUTOR NISSAN CG13/H25 (NOT SHOWN)
-	3336167	1	THERMOSTAT-NISSAN CG13 180°F, (82°C) (NOT SHOWN)
-	3336168	1	TENSIONER-NISSAN CG13 FAN BELT (SP) (NOT SHOWN)
-	3336169	1	BEARING ASSEMBLY-NISSAN CG13 FAN DRIVE (SP) (NOT SHOWN)
-	3336151	1	COIL-NISSAN CG13 IGNITION (SP) (NOT SHOWN)

NOTE: The fan is considered the front of the engine. It is toward the rear of the machine.  
For more information consult the Nissan CG13 engine manual.

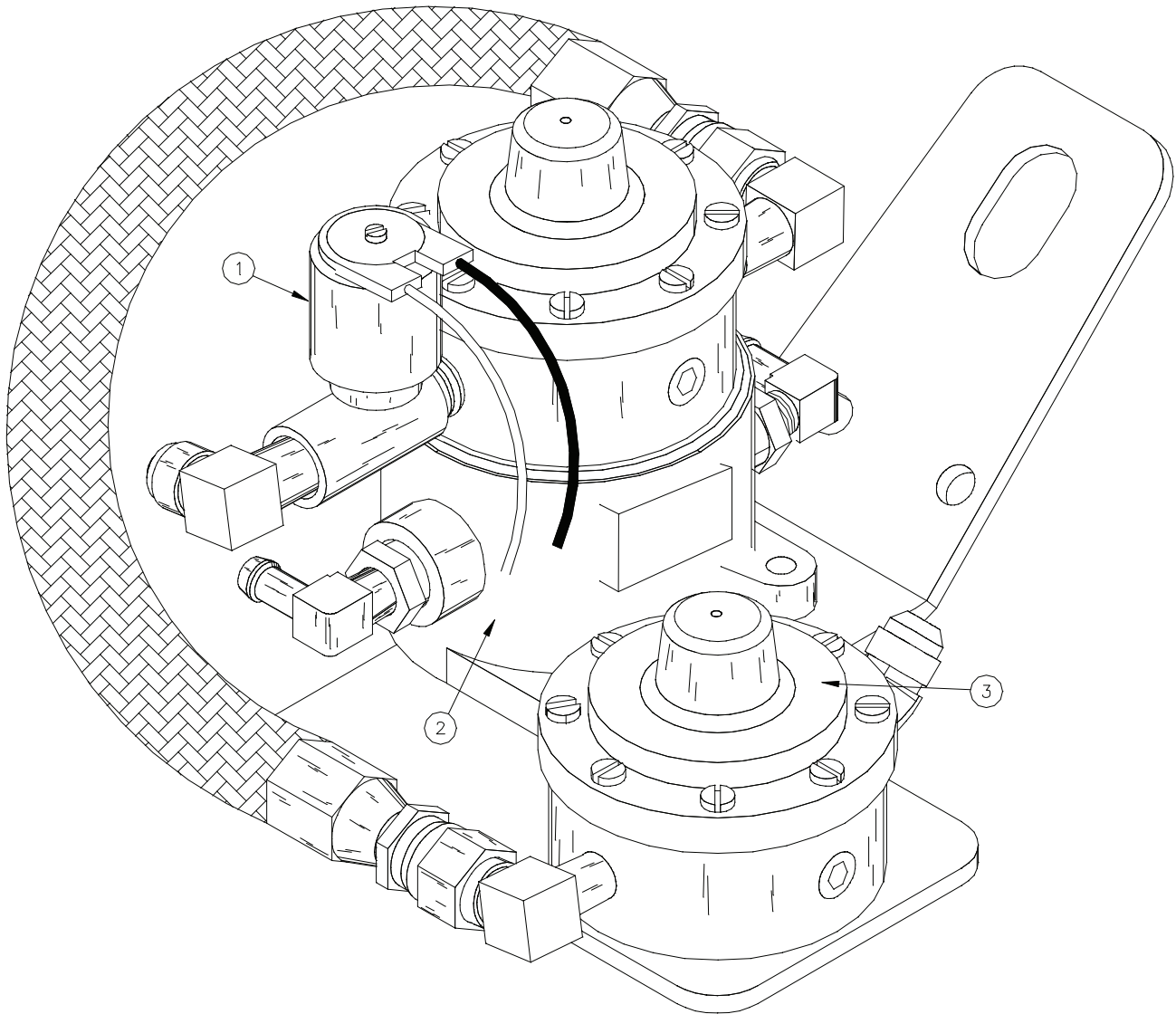
# 9X Nissan CG13 Tier II LPG Fuel System



## 9X Nissan CG13 Tier II LPG Fuel System

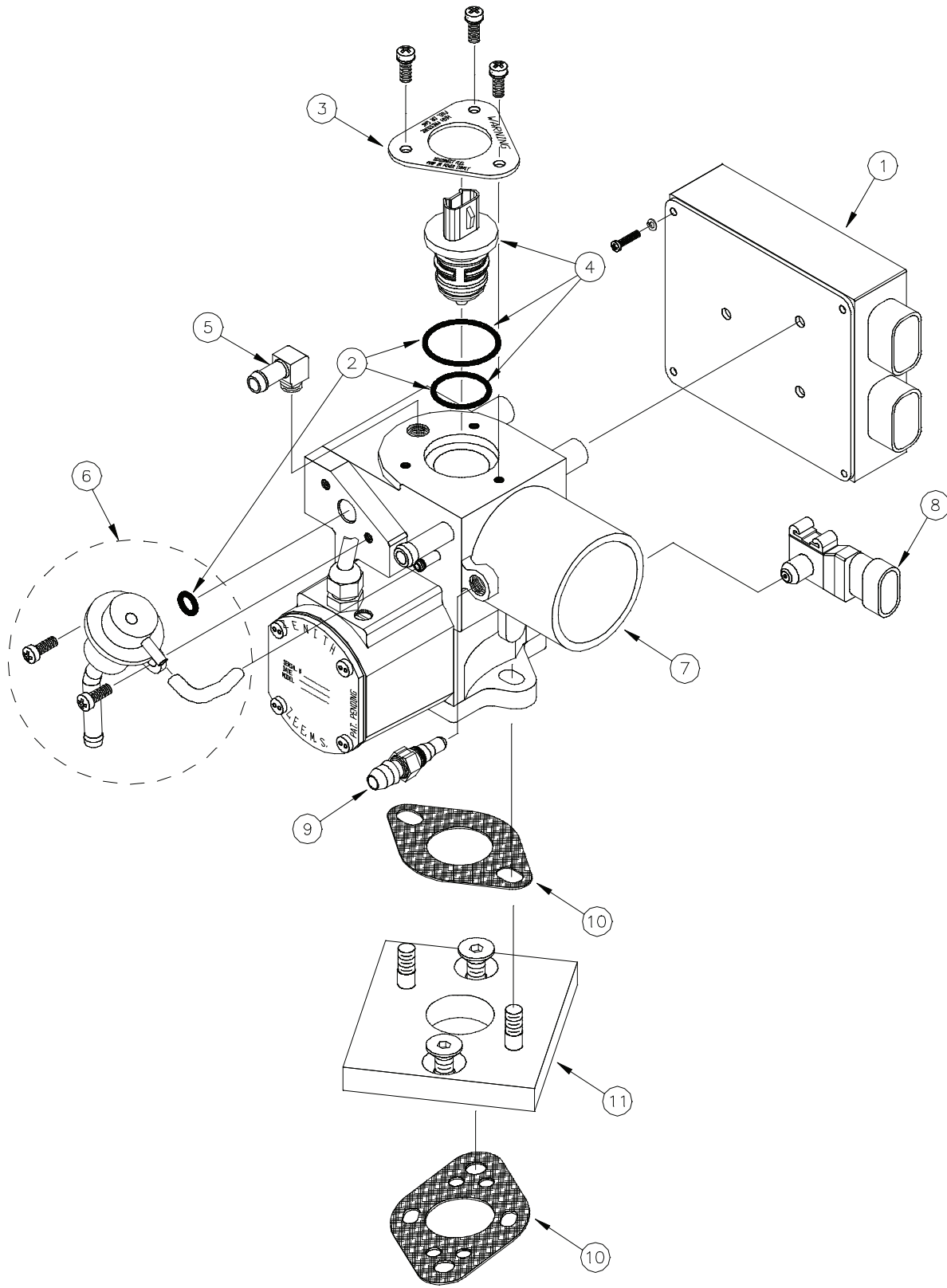
Item	Part no.	Qty.	Description
1	3334327	1	ECU-ZENITH CG13 LPG COMPLIANT, ARMA
2	3336577	1	ORING KIT-LPG INJECTOR, NISSAN CG13
3	3336566	1	INJECTOR-MOUNTING PLATE & SCREWS
4	3336576	1	INJECTOR-LP GAS W/2 O-RINGS
5	3336578	1	FTG-LPG THROTTLE BODY FUEL INLET
6	3334392	1	ASSY-THROTTLE BODY W/O ECU NISSAN CG13 LPG COMPLIANT
7	3334854	1	SENSOR-MAP, CG13 TIER II, LPG/GAS
8	3336568	1	SENSOR-CG13-AIR TEMPERATURE, NISSAN
9	3336562	1	GASKET KIT-CG13 THROTTLE BODY, NISSAN
10	3336561	1	MANIFOLD ADAPTER KIT, NISSAN CG13 (INCLUDES 9 +HARDWARE)
-	3333699	1	FUEL SYSTEM ZENITH 9XLP NISSAN CG13 (INCLUDES PARTS 1 -8)

# 9X Nissan CG13 Tier II LPG Vaporizer Assembly



<b>Item</b>	<b>Part no.</b>	<b>Qty.</b>	<b>Description</b>
1	3336589	1	SOLENOID-LPG LOCKOFF (SP)
2	3334343	1	VAPORIZER-LPG NISSAN CG13, COMPLIANT
3	3334342	1	REGULATOR-LPG, NISSAN CG13 COMPLIANT
-	3336584	1	FILTER-LPG FUEL, NISSAN CG13 (NOT SHOWN)

# 9X Nissan CG13 Tier II Gasoline Fuel System

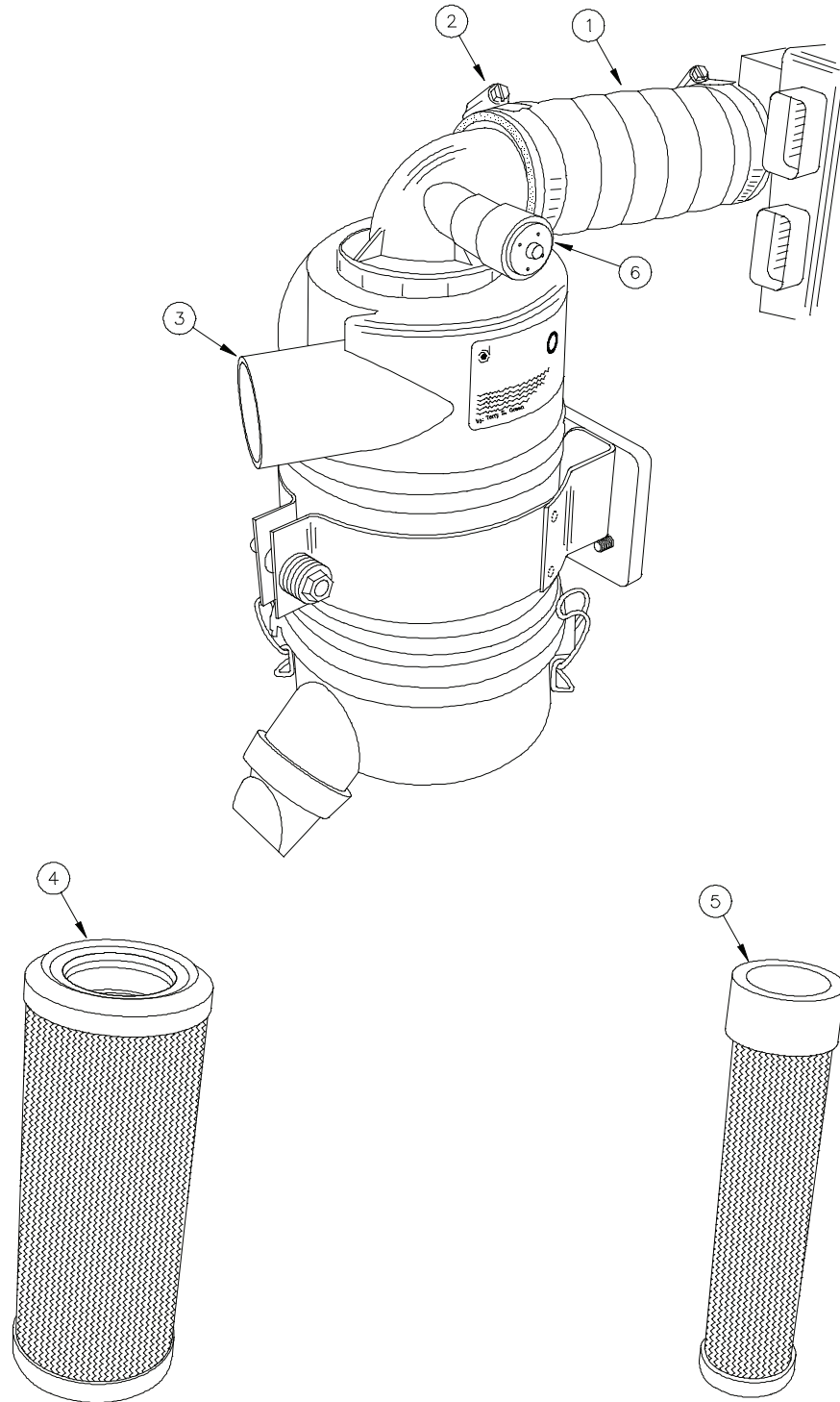


## 9X Nissan CG13 Tier II Gasoline Fuel System

Item	Part no.	Qty.	Description
1	3334328	1	ECU-ZENITH CG13 GAS TIER II ARMA
2	3336564	1	ORING KIT-INJECTOR & PRESSURE REGULATOR, CG13 (SP)
3	3336566	1	INJECTOR-MOUNTING PLATE & SCREWS
4	3334536	1	INJECTOR-CG13 GAS TIER II WITH O-RINGS
5	3336567	1	FTG-GASOLINE FUEL INLET, NISSAN CG13
6	3336565	1	REGULATOR-GAS PRES WITH O-RING&HOSE, CG13
7	3334391	1	ASSEMBLY-THROTTLE BODY W/O ECU NISSAN CG13 LPG TIER II
8	3334854	1	SENSOR-MAP, CG13 TIER II, LPG/GAS
9	3336568	1	SENSOR-CG13-AIR TEMPERATURE, NISSAN
10	3336562	1	GASKET KIT-CG13 THROTTLE BODY, NISSAN
11	3336561	1	MANIFOLD ADAPTER KIT, NISSAN CG13 (INCLUDES 10 +HARDWARE)
-	3333698	1	FUEL SYSTEM ZENITH 9XLP NISSAN CG13 (INCLUDES PARTS 4 THRU 9)



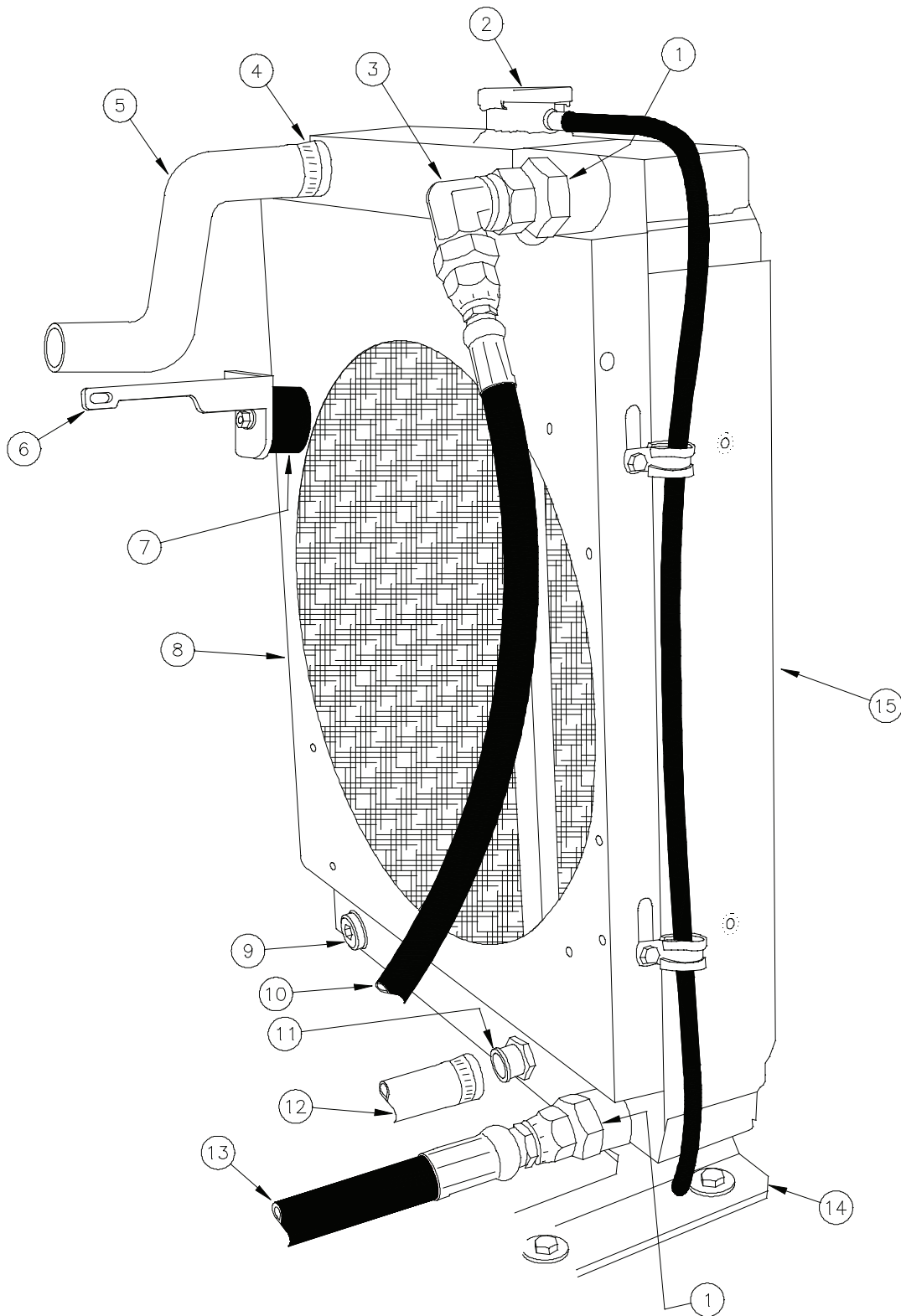
# 9X Air Cleaner Assembly, Gas/LP



## 9X Air Cleaner Assembly, Gas/LP

Item	Part no.	Qty.	Description
1	3333604	1	HOSE-AIR CLEANER NISSAN CG13
2	3312189	2	CLAMP-HOSE 2" NOMINAL SS WORM
3	3317917	1	AIR CLEANER-RADIAL SEAL FPG STYLE
4	3321143	1	ELEMENT-AIR CLEANER, PRIMARY
5	3322572	1	ELEMENT-AIR CLEANER, SAFETY
6	3303991	1	INDICATOR-AIR CLEANER RESTRICTION

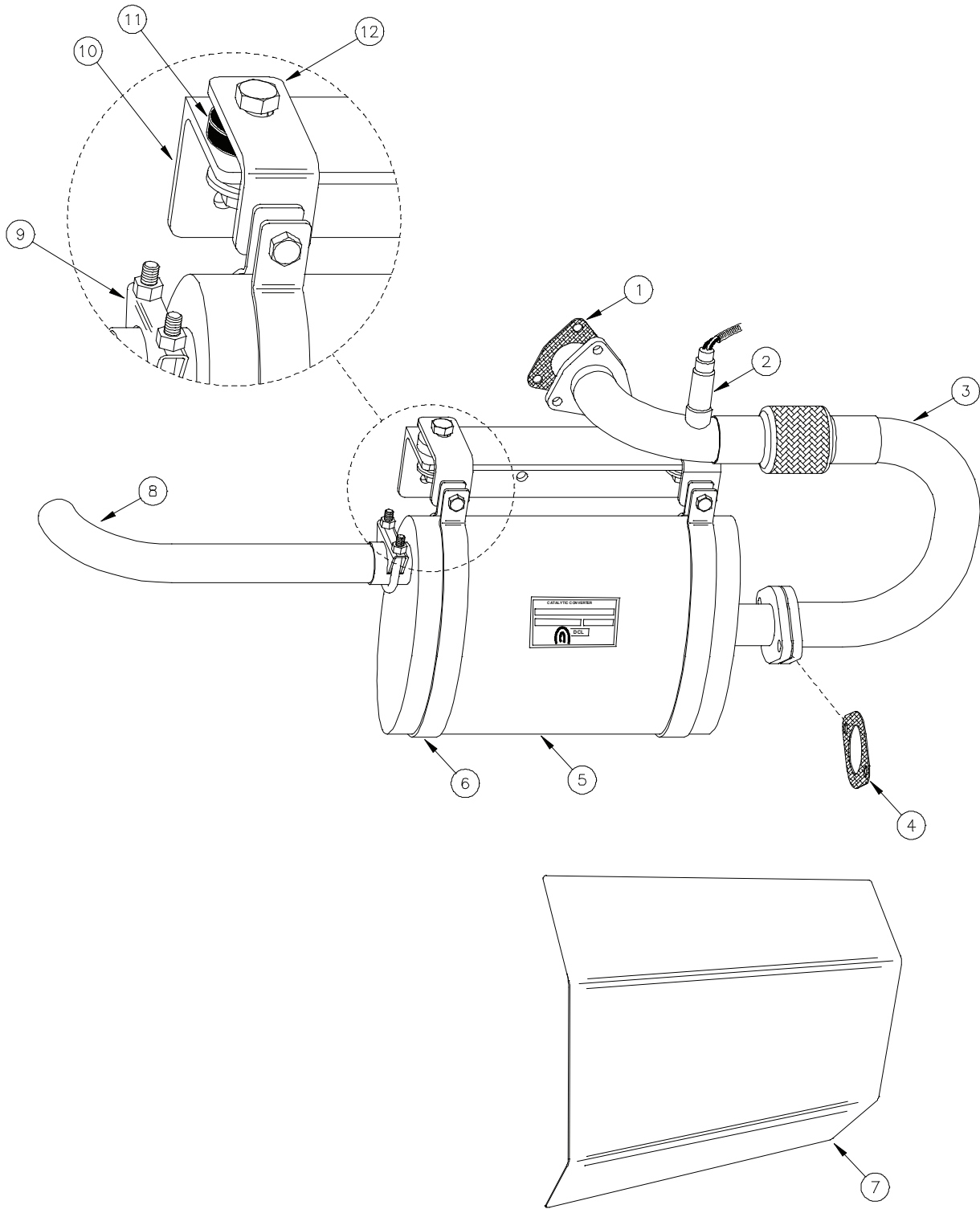
# 9X Radiator - Nissan CG13



## 9X Radiator - Nissan CG13

Item	Part no.	Qty.	Description
1	3402003	1	FTG-ADAPTER STRAIGHT #12 TO #16
2	3336527	1	RADIATOR CAP
3	3400636	1	FTG-ADAPTOR SWIVEL NUT ELBOW
4	3303255	4	CLAMP-HOSE 1.75 DIA NOMINAL
5	3336523	1	HOSE-UPPER RADIATOR, GAS/LP
6	3334444	1	MOUNT-RADIATOR CG13 GAS/LP
7	3334445	1	ISOLATOR-RADIATOR MOUNT, GAS/LP
8	3336522	1	SHROUD-CG13/KUBOTA 1505 RADIATOR
9	3333488	1	FTG-PLUG, RADIATOR
10	3334240	1	HOSE-HYD, 1/2 AR 48.00 #12ST #8 90°
11	3333489	1	FTG-RADIATOR HOSE
12	3336524	1	HOSE-LOWER RADIATOR NISSAN CG13 GAS/LP
13	3334239	1	HOSE-HYD, 3/4AR 163.00 #12ST #12ST
14	3333259	1	MOUNT-RADIATOR HYD W/COOLER
15	3336103	1	RADIATOR-OIL COOLER COMBO

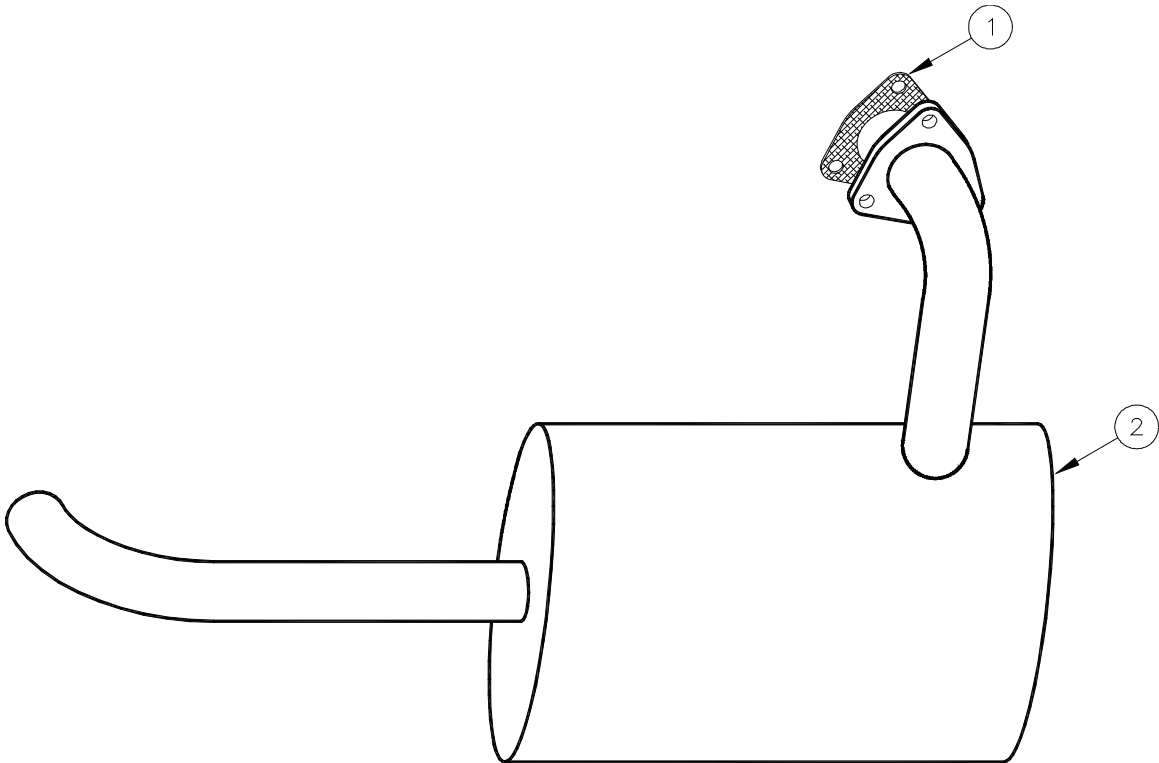
# 9X Exhaust - Nissan CG13, Tier II



## 9X Exhaust - Nissan CG13, Tier II

Item	Part no.	Qty.	Description
1	3336540	1	GASKET-EXHAUST, 3 HOLE
2	3334228	1	SENSOR-NISSAN OXYGEN
3	3334246	1	WELDMENT-EXHAUST MANIFOLD TUBE, CG13 9X
4	3333656	1	GASKET-EXHAUST, 2 HOLE
5	3333618	1	CATALYTIC CONVERTER-MINE X
6	3334242	2	BAND-MUFFLER, CG13
7	3333890	1	HEAT SHIELD, 9X STAINLESS STEEL
8	3334241	1	TAILPIPE-NISSAN CG13 9X
9	3303118	1	CLAMP-EXHAUST, 1.63" DIA.
10	3334244	1	MOUNT-CG13 MUFFLER
11	3334245	2	ISOLATOR-RUBBER
12	3334243	2	BRACKET-CG13 EXHAUST

# 9X Exhaust - Nissan CG13, Tier I



Item	Part no.	Qty.	Description
1	3336534	1	GASKET-EXHUAST PIPE, 3 HOLE
2	3336540	1	MUFFLER-NISSAN CG13 NONCOMPLIANT